

Item No.:HZ652/NPT8510/NPT8511 Activity Ride-On

Instructions Manual

Warning:

- 1-Ride-on car is designed for children up 12-36 months old. Ride's weight must not exceed 25kgs. as there is insufficient strength to support overweight.
- 2-Product is designed to seat 1 child as a time to avoid injuries.
- 3-Parental guidance and supervision are strongly advised to ensure safe riding.
- 4-Adult assembly and installation of all parts are required to ensure safety.
- 5-Batteries to be handled by adults.
- 6-Take care of riding and avoid going near streets,crossroads,all traffic areas,swimming pools,and stairs.
- 7-Without regular check of the product.it will cause overturn or fall
- 8-Check to see occasionally that the nut and bolt on the steering wheel is tight and secure.
- 9-Dangers may present if the product is not correctly assembled.
- 10-Shoes must be worn in use.

Battery Handling:

- 1-Battery must be handled by adults only.
- 2-Always remove exhausted batteries.
- 3-Use AA size batteries only.
- 4-Alkaline batteries are recommended.
- 5-Always remove batteries when the unit is not going to be used for an extended period of time.
- 6-When replacing new batteries,always replace all batteries.
- 7-Do not mix old and new batteries.
- 8-Do not mix Alkaline,Standard(Carbon-Zinc),or Rechargeable(Nickel-Cadmium)batteries.
- 9-Do not dispose of batteries in fire,batteries may explode or leak.
- 10-Non-rechargeable batteries are not to be recharged
- 11-Rechargeable batteries are to be removed from the toy before being charged
- 12-Rechargeable batteries are only to be charged under adult supervision
- 13-Batteries are to be inserted with the correct polarity
- 14-The supply terminals are not to be short-circuited

WARNING
ADULT ASSEMBLY
REQUEST.



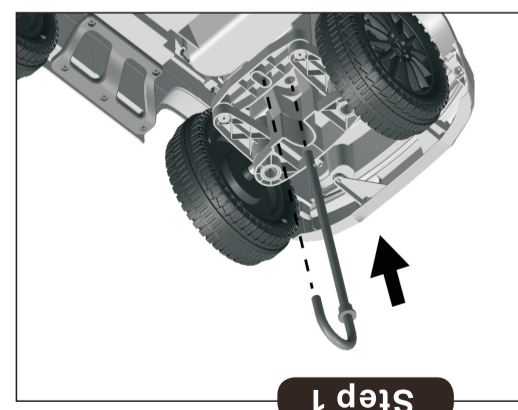
COMPONENTS LIST

1. Car body 1 pc		2. Steering wheel 1 pc	
3. Backrest 1 pc		4. Screw 3pcs (1 replacement piece)	
5. Spare tire 1pc		6. J-Shaped Stick 1 pc	

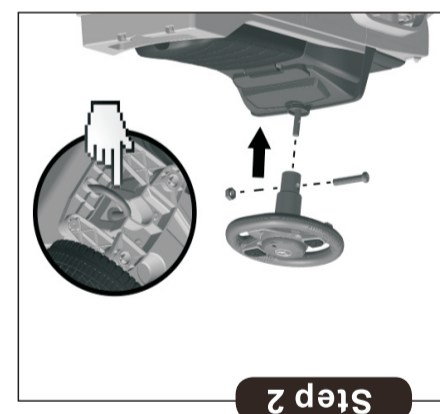
“Mercedes-Benz” “ ” and the design of enclosed product are subject to intellectual property protection owned by Daimler AG.They are used by Ningbo Prince Toys Co.,Ltd. under license.
Manufacturer: Dutch Bandits B. V. , Jansstraat 69, 2011 RV HAARLEM
www. dutchbandits.com

INSTRUCTIONS

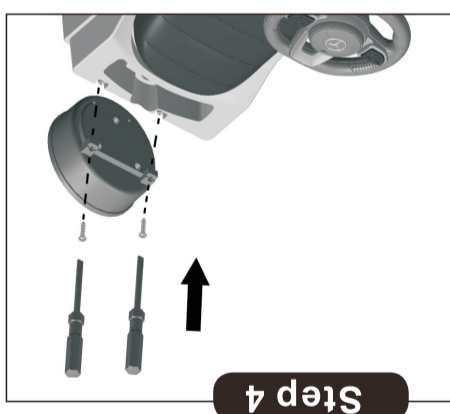
How to assemble the J-shaped stick
- Install the J-shaped stick at the assigned location as picture



How to assemble the steering wheel.
- Loosen the bolt and nut in the steering wheel.
- Place the steering wheel over the J-shaped stick.
- Insert the bolt and tighten the nut with a screwdriver.



How to assemble the spare tire
- Place the spare tire in the rear of car body.
- Tight two screws with a screwdriver.



How to assemble the backrest
- Place the backrest over the holes in the rear of the body.
- While holding the front of the vehicle down one hand push firmly down on the backrest to seat the backrest into the holes. Be certain the backrest is completely seated.



How to exchange the battery.
- Loosen the screws with a screwdriver.
- Put 2AA batteries in the battery house.
- Then tight the screw with a screwdriver.

